



Position switch

E 12 WR - 2m

Material no.: 1044440 (material no. old: 12710913)

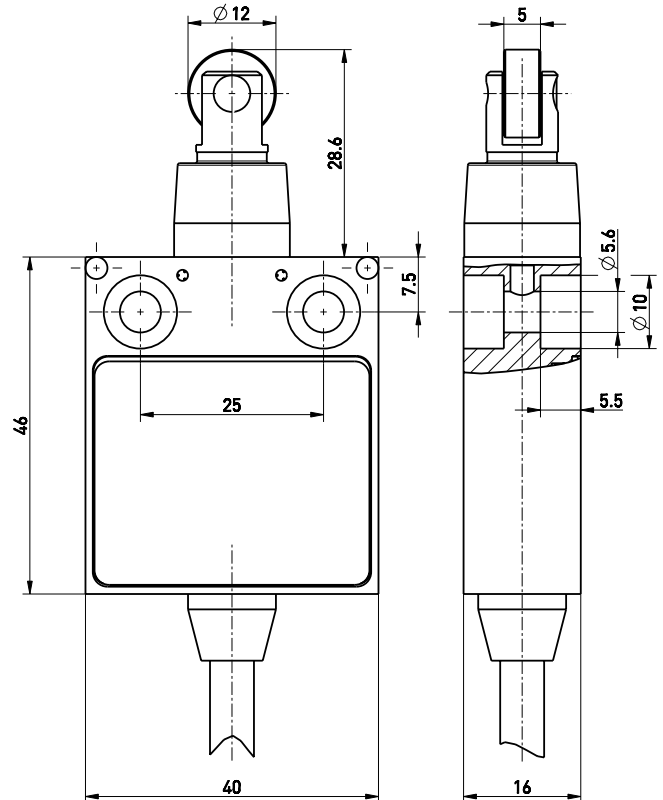
Product features

- Metal enclosure
- Snap action, change-over contact with single break
- Suitable for in-line mounting
- With pre-wired cable
- Actuator: Roller plunger with collar WR
- Actuating speed max. 0.5 m/s with a vertical actuating angle of 25°
- Metal roller
- Watertight collar for protection against penetration of dirt

Notes

- Actuator can be repositioned by 90° on request

Dimensions



Technical data

Applied standards

EN 60947-5-1

Enclosure

aluminium die-cast, powder-coated

Degree of protection

IP67 (IEC/EN 60529)

Contact material

silver

Switching elements

1 change-over contact with single break, type C

Switching system

snap action

Connection

pre-wired cable H05VV-F

Cable cross-section

4 x 0.75 mm²

Cable length

2 m

Rated impulse withstand voltage U_{imp}

4 kV

Rated insulation voltage U_i

250 V

Conventional thermal current I_{the}

5 A

Utilisation category

AC-15; DC-13

Rated operating current/voltage I_e/U_e

5 A/250 VAC; 0.16 A/230 VDC

Short-circuit protection

5 A gG/gN fuse

Mechanical life

> 1 million operations

Operation cycles

max. 1800/h

Ambient temperature

-20 °C ... +75 °C

Errors and omissions excepted.



Position switch

E 12 WR - 2m

Material no.: 1044440 (material no. old: 12710913)

Technical data (contd.)

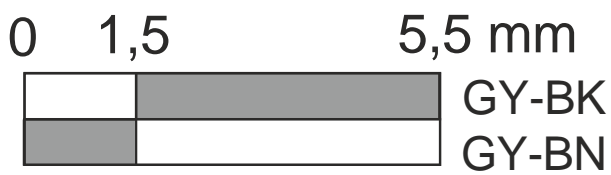
Approvals



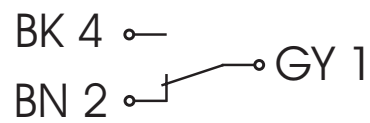
Weight

240 g

Switching diagram



Contact diagram



Errors and omissions excepted.